



# PRODUCTS CATALOG

ELECTRICAL ENCLOSURES & MODULAR CABINETS



# 20

[exmweb.com](http://exmweb.com)

## DOUBLE DOOR WEATHERPROOF ENCLOSURES

The 5300 ESDD large, double door, weatherproof enclosures are used as junction boxes or control boxes in outdoor installations, or indoors where dripping water is a problem. These enclosures are designed to protect equipment against rain, sleet and snow. The 5300 ESDD are made of high quality 14 GA steel, with continuously welded corner seams. The opening has a curled lip around all sides to increase rigidity and prevent dripping

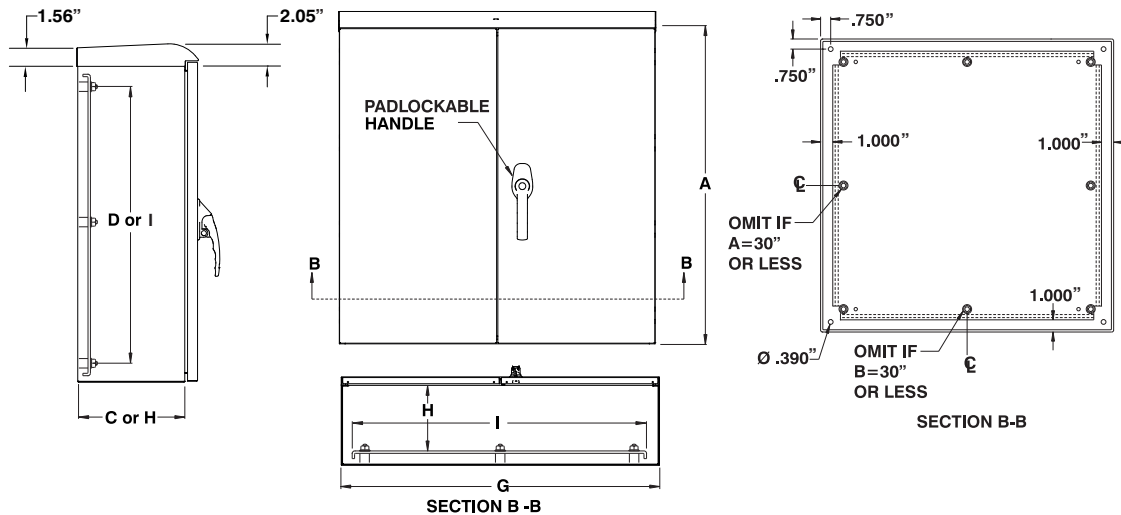
water from entering the enclosure when the door is open. A high quality, robotically poured-in-place, seamless gasket ensures a complete and durable weather-tight seal. The captive pins of the concealed hinges can be pulled to remove the door.

The handle on the left door is closed with a 3 point padlockable handle. Internal mounting holes are provided. **Each enclosure comes complete with a 12 GA galvanized inner panel**, which is

double bent for maximum rigidity and mounts on M8 welded studs. Enclosures are finished with heat fused powder paint, electrostatically applied on a pretreated base. Box is ANSI/ASA 61 smooth gray.

**CSA Certified / UL Listed  
NEMA/EEMAC 3R / IP32**

**Refer to p.734 to validate choice of substrate for the application**



CATALOG NUMBER	DIMENSIONS					SHIP WGT LBS.
	A	B	C	D	E	
5300 ESDD303012	30	30	12	28.000	28.000	120
5300 ESDD303612	30	36	12	28.000	34.000	140
5300 ESDD304212	30	42	12	28.000	40.000	160
5300 ESDD304812	30	48	12	28.000	46.000	180
5300 ESDD363012	36	30	12	34.000	28.000	140
5300 ESDD363612	36	36	12	34.000	34.000	160
5300 ESDD364212	36	42	12	34.000	40.000	180
5300 ESDD364812	36	48	12	34.000	46.000	200
5300 ESDD303016	30	30	16	28.000	28.000	130
5300 ESDD303616	30	36	16	28.000	34.000	150
5300 ESDD304216	30	42	16	28.000	40.000	170
5300 ESDD363016	36	30	16	34.000	28.000	150
5300 ESDD363616	36	36	16	34.000	34.000	170
5300 ESDD364216	36	42	16	34.000	40.000	190

‡ Only enclosures with depths 12" or less are continuously welded. Shown with optional 880 ESDS external drip shield, see p.474.

**Insulated box?** To have your enclosure insulated, add suffix "TH"

i.e.: 5300 ESDD364216TH → Insulated steel enclosure

